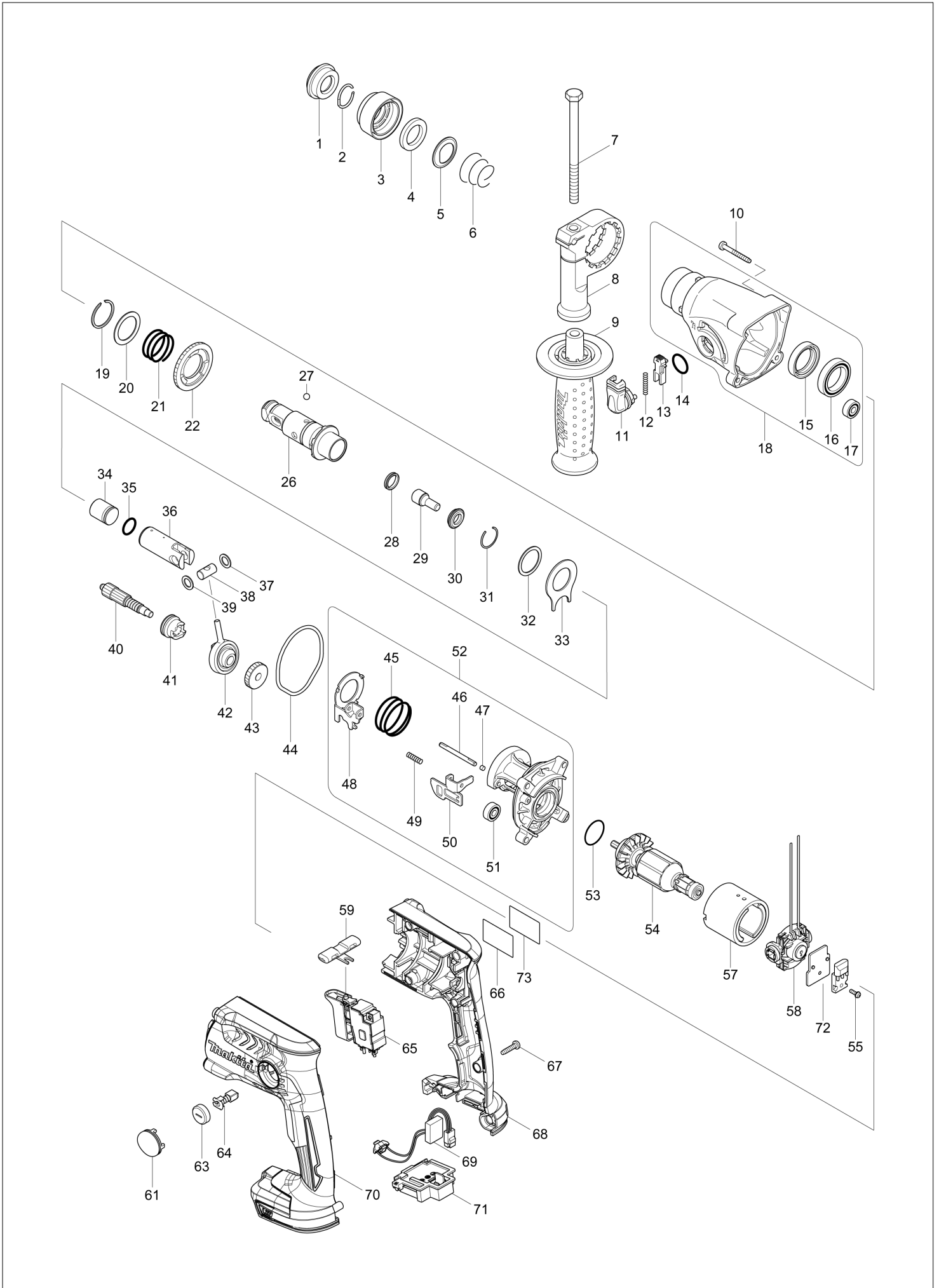


(VN) DHR165 / CORDLESS ROTARY HAMMER 16MM



<b>VN</b>	<b>VIETNAM</b>
-----------	----------------

### DHR165 / CORDLESS ROTARY HAMMER 16MM

Item	Sub	Parts No.	Parts Description	Qty	I/C	E/C No.	Close No.	Remark
001		286263-4	CAP 35	1				
002		233940-9	RING SPRING 19	1				
003		419220-9	CHUCK COVER	1				
004		257241-1	RING 21	1				
005		345187-4	GUIDE WASHER	1				
006		233916-6	CONICAL COMP. SPRING 21-29	1				
007		921923-8	HEX. BOLT M8X120	1				
008		417911-6	GRIP BASE	1				
009		158057-6	GRIP 36 COMPLETE	1				
010		266053-1	TAPPING SCREW 4X35	4				
011		162242-5	CHANGE LEVER COMPLETE	1				
012		233459-8	COMPRESSION SPRING 3	1				
013		455413-4	LOCK BUTTON	1				
014		213278-8	O RING 17	1				
015		213535-4	OIL SEAL 25	1				
016		211375-4	BALL BEARING 6805LLB	1				
017		211012-0	BALL BEARING 606ZZ	1				
018		154840-9	GEAR HOUSING COMPLETE	1				
	D10		INC. 15-17					
019		961135-1	RETAINING(EXT) WR-25	1				
020		267304-5	FLAT WASHER 25	1				
021		233457-2	COMPRESSION SPRING 25	1				
022		331707-0	SPUR GEAR 46	1				
026		154843-3	TOOL HOLDER COMPLETE	1				
027		216022-2	STEEL BALL 7.0	1				
028		213183-9	X RING 13	1				
029		324611-0	IMPACT BOLT	1				
030		257275-4	RING 11	1				
031		233942-5	RING SPRING 22	1				
032		267175-0	FLAT WASHER 24	1				
033		345681-6	JOINT PLATE	1				
034		324613-6	STRIKER	1				
035		213182-1	O RING 14	1				
036		331708-8	PISTON CYLINDER	1				
037		267130-2	FLAT WASHER 9	1				
038		324612-8	PISTON JOINT	1				
039		267130-2	FLAT WASHER 9	1				
040		227152-4	SPUR GEAR 10	1				
041		331706-2	CLUTCH CAM	1				
042		219019-0	SWASH BEARING 9	1				
043		226623-8	HELICAL GEAR 22	1				
044		423346-1	SEAL RING	1				
045		233458-0	COMPRESSION SPRING 32	1				
046		268147-8	PIN 4	1				
047		443123-5	FELT 4X3	1				
048		345645-0	CHANGE PLATE	1				
049		233460-3	COMPRESSION SPRING 3	1				
050		345654-9	STOPPER PLATE	1				
051		211012-0	BALL BEARING 606ZZ	1				
052		154841-7	INNER HOUSING COMPLETE	1				
	D10		INC. 45-51					
053		213953-6	O RING 24	1				
054		619334-6	ARMATURE	1				
055		911011-9	PAN HEAD SCREW M3X10	1				
057		638446-6	YOKE UNIT	1				
058		632D96-3	ENDBELL COMPLETE	1				
059		419457-8	F/R CHANGE LEVER	1				
061		424128-4	HOLDER CAP COVER	2				
063		643929-3	BRUSH HOLDER CAP	2				
064		195018-5	CARBON BRUSH SET CB-430	1				
065		632D94-7	SWITCH UNIT	1				
066		850K43-6	DHR165 NAME PLATE	1				
067		265995-6	TAPPING SCREW 4X18	7				
068		183A41-8	HOUSING SET	1				
	C10	263005-3	RUBBER PIN 6	2				

B:DHR165RFE(H)  
C:DHR165RME(H)

Interchange  
O : Yes  
X : No  
< : the new part can be substituted for the current.  
> : the current part can be substituted for the new.  
S : Interchangeable as a set.

